



Model MO-OPH

Jackshaft Operator

Richards-Wilcox
Dyna-Hoist

Architectural Shop Drawing

Heavy-Duty Hoist

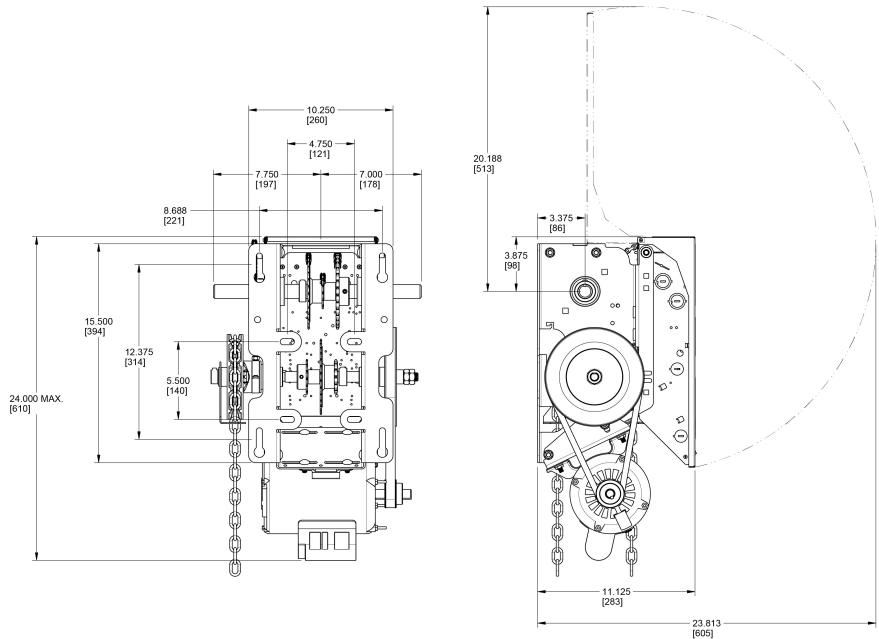
Project Details

Date: _____
Drawing No.: _____
Architect/Engineer: _____
Customer: _____

Page: _____ of _____
Project No.: _____
Project Name: _____
Contractor: _____

Dimensions & Ratings

| Motor Amperage Rating | | | | | | |
|-----------------------|-----------------|------------|----------------|------------|------------|--|
| HP | Voltage - Phase | | | | | |
| | 120V - 1PH | 240V - 1PH | 208/240V - 3PH | 480V - 3PH | 600V - 3PH | |
| 1/2 | 8,0 | 4,0 | 2,1 | 1,0 | 0,8 | |
| 3/4 | 11,2 | 5,6 | 3,2 | 1,5 | 1,2 | |
| 1 | 13,6 | 6,8 | 4,4 | 2,1 | 1,6 | |



Ordering Specifications

Quantity: _____
Horsepower: _____
Phase: _____

Door Type: _____
Door Shaft Height: _____ H
Amount of High Lift: _____ H
Drum Type/Size: _____
Barrel Diameter: _____ Ø

Operator Nema Rating: _____
3-Push Button Station Rating: _____
Motor Circuit Type: _____

Model: _____
Volts: _____
Hertz: _____

Door Width/Height: _____ W x _____ H
Drive Sprocket: _____
Hand Chain (location): _____

Qty 3-PB Station(s)/Operator: _____
(One 3-PB station supplied/operator unless otherwise noted)

Photo Cell Upgrade: _____
(Nema-1 rating supplied unless otherwise noted)



