



Model MO-OMH

Jackshaft Operator

Richards-Wilcox
Dyna-Hoist

Architectural Shop Drawing

Medium-Duty Hoist

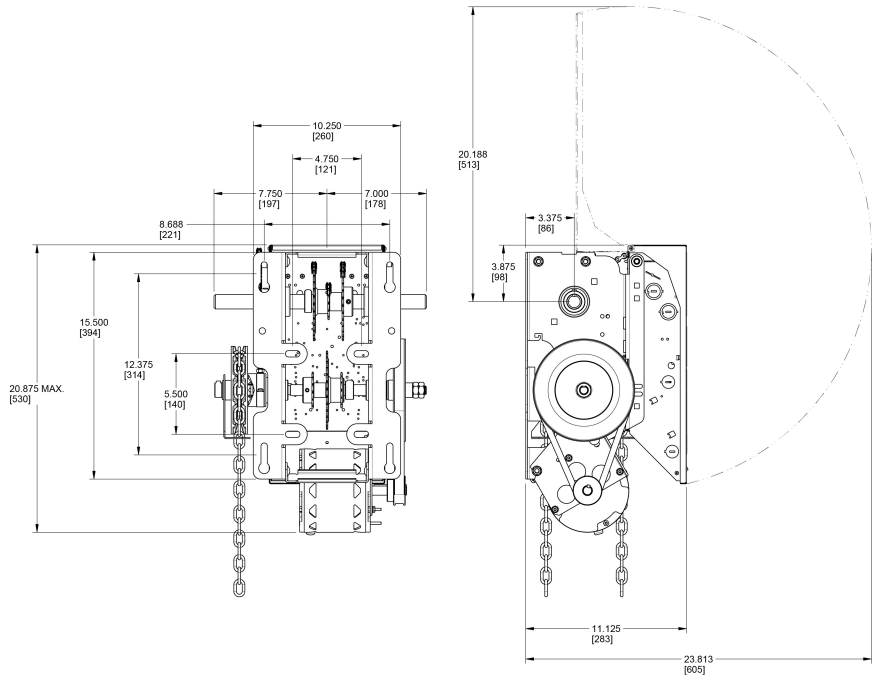
Project Details

Date: _____
Drawing No.: _____
Architect/Engineer: _____
Customer: _____

Page: _____ of _____
Project No.: _____
Project Name: _____
Contractor: _____

Dimensions & Ratings

Motor Amperage Rating						
HP	Voltage - Phase					
	120V - 1PH	240V - 1PH	208/240V - 3PH	480V - 3PH	600V - 3PH	
1/2	5,0	-	-	-	-	-



Ordering Specifications

Quantity: _____
Horsepower: _____
Phase: _____

Door Type: _____
Door Shaft Height: _____ H
Amount of High Lift: _____ H
Drum Type/Size: _____
Barrel Diameter: _____ Ø

Operator Nema Rating: _____
3-Push Button Station Rating: _____

Motor Circuit Type: _____

Model: _____
Volts: _____
Hertz: _____

Door Width/Height: _____ W x _____ H
Drive Sprocket: _____
Hand Chain (location): _____

Qty 3-PB Station(s)/Operator: _____
(One 3-PB station supplied/operator unless otherwise noted)

Photo Cell Upgrade: _____
(Nema-1 rating supplied unless otherwise noted)



