



**Richardson-Wilcox**  
**Dyna-Hoist**

# Model MO-OGH

Architectural Shop Drawing

# Jackshaft Operator

Heavy-Duty Industrial Gear Head

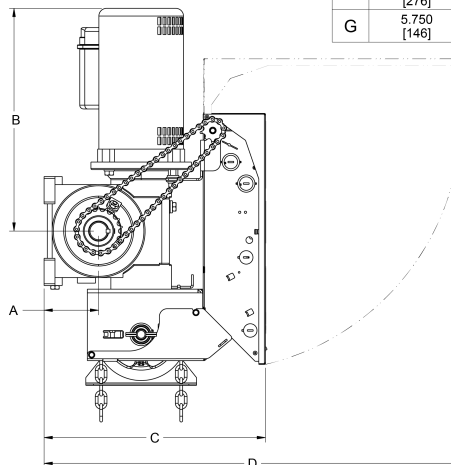
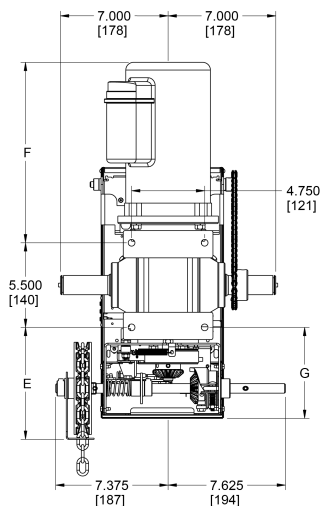
## Project Details

Date: \_\_\_\_\_  
 Drawing No.: \_\_\_\_\_  
 Architect/Engineer: \_\_\_\_\_  
 Customer: \_\_\_\_\_

Page: \_\_\_\_\_ of \_\_\_\_\_  
 Project No.: \_\_\_\_\_  
 Project Name: \_\_\_\_\_  
 Contractor: \_\_\_\_\_

## Dimensions & Ratings

Motor Amperage Rating						
HP	Voltage - Phase					
	120V - 1PH	240V - 1PH	208/240V - 3PH	480V - 3PH	600V - 3PH	
1/2	8,6	4,1	2,2	1,1	-	
3/4	10,4	5,2	2,8	1,4	1,1	
1	13,4	6,7	3,4	1,7	1,4	
1-1/2	18,6	9,3	4,8	2,4	1,9	
2	-	-	6,2	3,1	2,5	



	UP TO 1 HP	1.5 & 2 HP
A	3.000 [76]	3.500 [89]
B	13.625 MAX. [346]	14.875 MAX. [378]
C	14.000 [356]	14.625 [371]
D	26.500 [673]	27.125 [689]
E	7.250 [184]	7.375 [187]
F	10.875 MAX. [276]	12.125 MAX. [308]
G	5.750 [146]	5.875 [149]

## Ordering Specifications

Quantity: \_\_\_\_\_  
 Horsepower: \_\_\_\_\_  
 Phase: \_\_\_\_\_

Model: \_\_\_\_\_  
 Volts: \_\_\_\_\_  
 Hertz: \_\_\_\_\_

Door Type: \_\_\_\_\_  
 Door Shaft Height: \_\_\_\_\_ H  
 Amount of High Lift: \_\_\_\_\_ H  
 Drum Type/Size: \_\_\_\_\_  
 Barrel Diameter: \_\_\_\_\_ Ø

Door Width/Height: \_\_\_\_\_ W x \_\_\_\_\_ H  
 Drive Sprocket: \_\_\_\_\_  
 Drive Sprocket & Chain: \_\_\_\_\_  
 Hand Chain (location): \_\_\_\_\_  
 Friction Clutch (location): \_\_\_\_\_

Operator Nema Rating: \_\_\_\_\_  
 3-Push Button Station Rating: \_\_\_\_\_  
 Motor Circuit Type: \_\_\_\_\_

Qty 3-PB Station(s)/Operator: \_\_\_\_\_  
 (One 3-PB station supplied/operator unless otherwise noted)  
 Photo Cell Upgrade: \_\_\_\_\_  
 (Nema-1 rating supplied unless otherwise noted)

